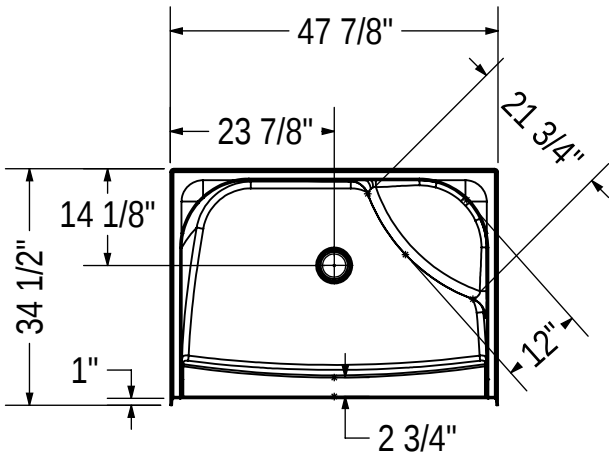
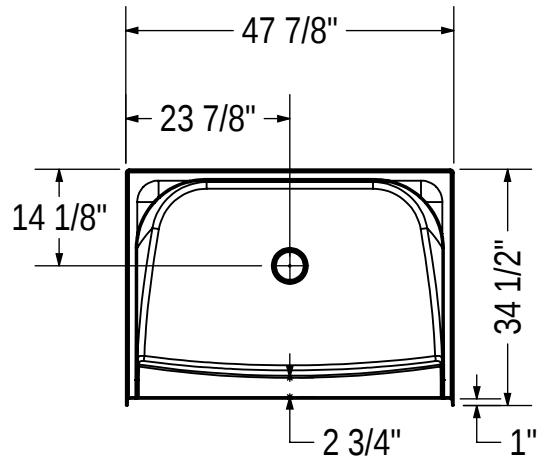


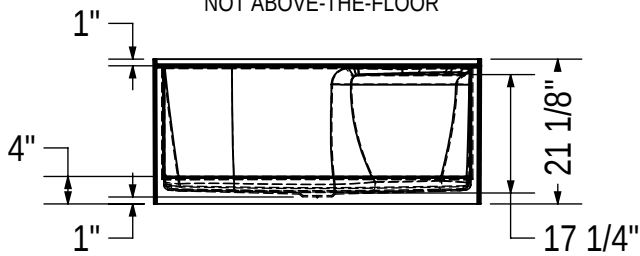
RIGHT SEAT SHOWN
LEFT SEAT SYMMETRICAL



NO SEAT



NOT ABOVE-THE-FLOOR



ABOVE-THE-FLOOR

