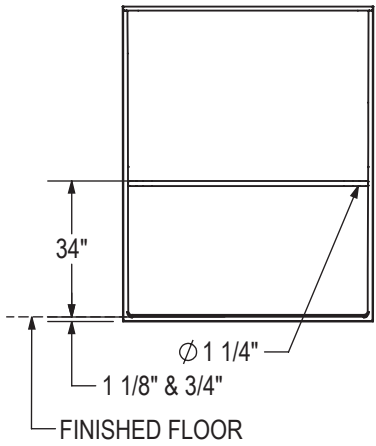
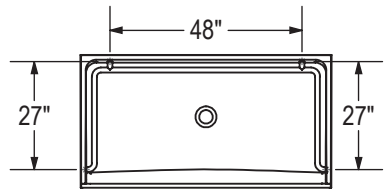


BASE MODEL WITH ADA U-SHAPED GRAB BAR PACKAGE



All dimensions are approximate. Structure measurements must be verified against the unit to ensure proper fit.