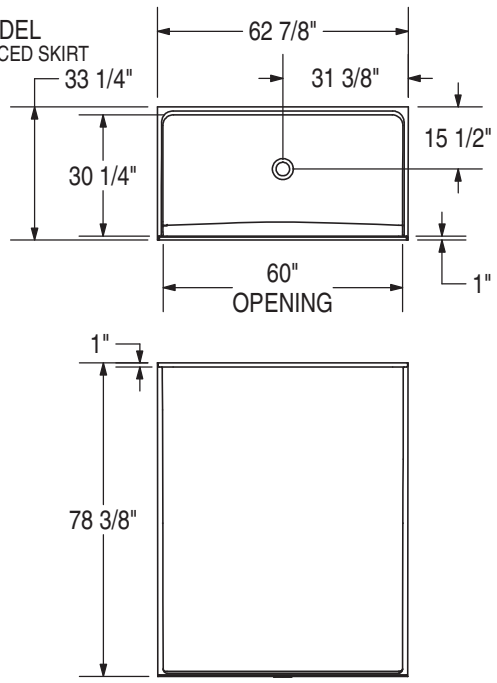
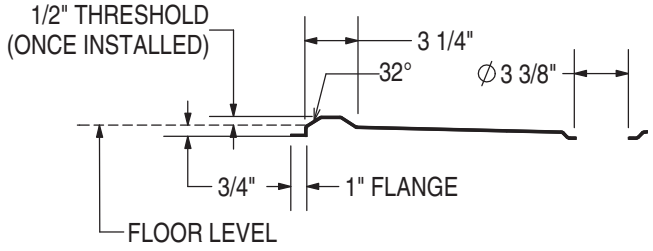


BASE MODEL WITH REDUCED SKIRT

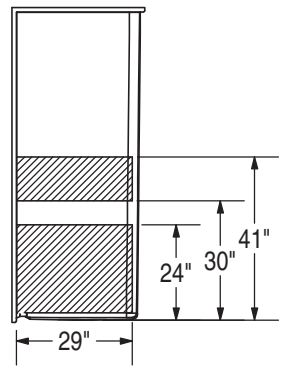


THRESHOLD DETAIL (REDUCED SKIRT)

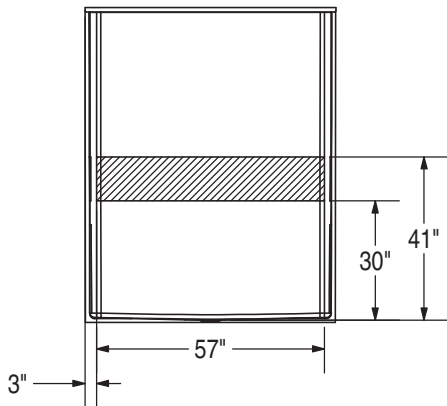


REINFORCEMENT BACKING

**RIGHT WALL SHOWN
LEFT WALL SYMMETRICAL**



BACK WALL



All dimensions are approximate. Structure measurements must be verified against the unit to ensure proper fit.