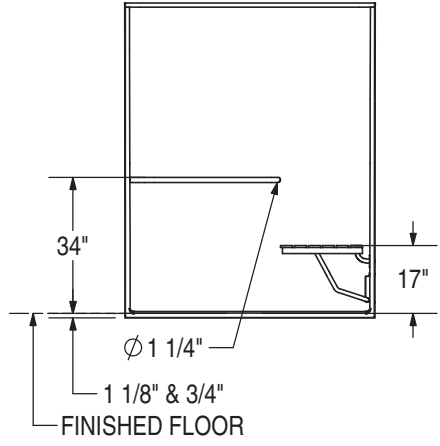
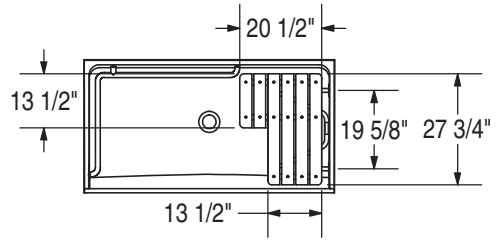
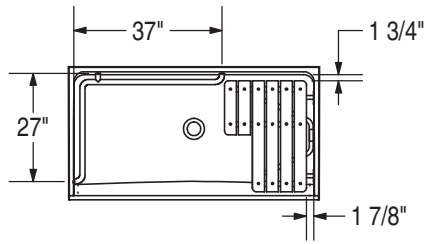


**BASE MODEL WITH ADA/ANSI L-SHAPED GRAB BAR & SEAT PACKAGE**  
 LEFT SIDE SHOWN  
 RIGHT SIDE SYMMETRICAL



**All dimensions are approximate. Structure measurements must be verified against the unit to ensure proper fit.**