



**OPS-6036-RS ROLL-IN SHOWER  
ADA COMPLIANT (without seat)**

**SUBMITTAL SHEET**  
ADA STANDARDS FOR ACCESSIBLE DESIGN  
FHA, CSA B45.5-11 / IAPMO Z124-2011, HUD UM 73a, ASTM F-462

**TO COMPLETE YOUR ORDER, THIS DOCUMENT MUST BE SIGNED AND FAXED TO AKER ORDER DESK  
FAX: (304) 263-8369 • PHONE: 1-800-962-2537**

DATE: \_\_\_\_\_

CUSTOMER: \_\_\_\_\_

SHIP TO: \_\_\_\_\_

P.O. #: \_\_\_\_\_

QUANTITY: \_\_\_\_\_

/ /

PLUMBING CONTRACTOR APPROVAL \_\_\_\_\_ DATE \_\_\_\_\_

/ /

ENGINEER APPROVAL \_\_\_\_\_ DATE \_\_\_\_\_

JOB NAME: \_\_\_\_\_

QUOTE#: \_\_\_\_\_

PHONE: \_\_\_\_\_

SPECIAL NOTES: \_\_\_\_\_

/ /

GENERAL CONTRACTOR APPROVAL \_\_\_\_\_ DATE \_\_\_\_\_

/ /

ARCHITECT APPROVAL \_\_\_\_\_ DATE \_\_\_\_\_

**IMPORTANT NOTES:**

1. MAAAX assumes no responsibility for final code compliance. Information and specifications taken from this document must be confirmed with appropriate authorities.
2. Units are code compliant when fully equipped and installed according to guidelines.
3. Due to possible water leaks between the threshold of the shower and the curtain, MAAAX recommends the installation of a floor drain outside the unit.

<b>INTERIOR DIMENSIONS</b>	60" L x 36" W x 76 5/8" H
<b>EXTERIOR DIMENSIONS</b>	62 1/2" L x 39 1/4" W x 78 3/4" H
<b>SKIRT HEIGHT</b>	3/4"
<b>THRESHOLD HEIGHT</b>	1/2"
<b>WEIGHT</b>	225 LB
<b>MATERIAL</b>	GELCOAT
<b>WARRANTY</b>	5 YEARS

**STANDARD FEATURES**

- 1-piece roll-in shower
- Reinforced according to Fair Housing Act accessibility requirements
- Center drain
- Textured bottom
- Available in standard and non-standard colors

**COMPLIANT PACKAGE**

Fully equipped - ADA compliant

**Shower base model with complete ADA package (without seat)**

- 1 x Horizontal U-shaped 33" x 60" x 33" textured stainless steel grab bar
- Chrome pressure balance mixing valve with hand-held shower
- Chrome 24" slide bar & 60" flexible hose

**Specify colors**

White    Bone    Biscuit

Non-standard color: \_\_\_\_\_

**Options**

- 60" Chrome curtain rod (factory-installed)
- Chrome recessed soap dish (drilled, not installed)

**Accessories (sold separately)**

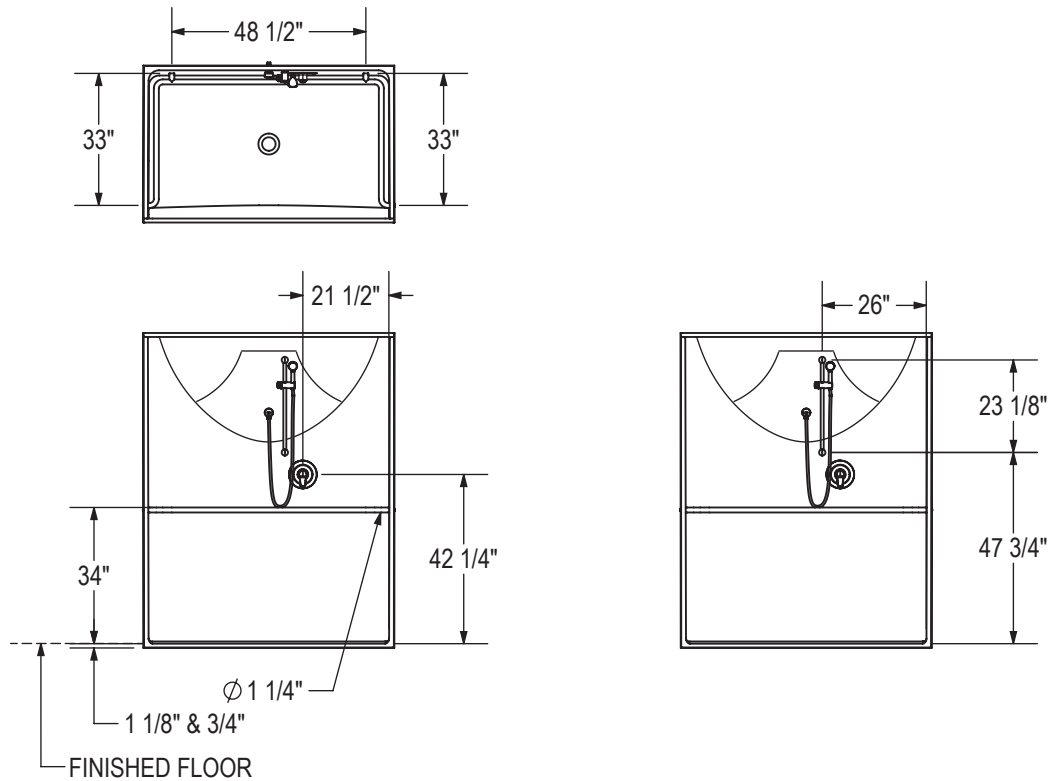
- Solid Brass drain with Chrome plated stainless steel grid
- 60" White vinyl shower curtain with stainless steel hooks

(141341)

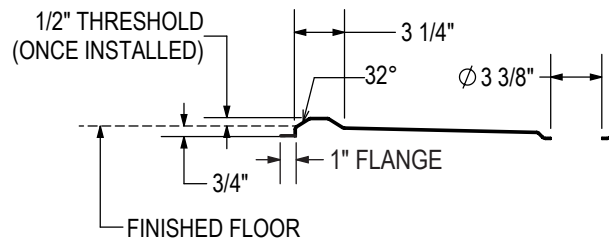


**TO COMPLETE YOUR ORDER, THIS DOCUMENT MUST BE SIGNED AND FAXED TO AKER ORDER DESK  
FAX: (304) 263-8369 • PHONE: 1-800-962-2537**

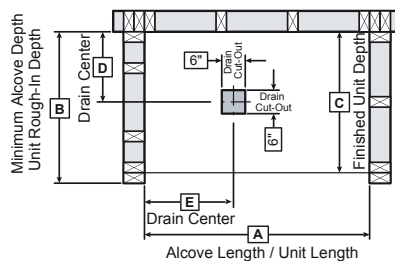
**TECHNICAL DRAWINGS**



**DAM PROFILE**



**FRAMING DIMENSIONS**



Model	A	B	C	D	E
141341	62 1/2"	39 1/4"	38 1/4"	19 3/8"	31 1/4"

**MINIMUM CLEARANCE**

SHOWER 60" X 36"	
ADA	
F	60"
G	30"

Clearance zone from the control wall and adjacent to the open face.

