



# OPTS-6032 TUB SHOWER ANSI COMPLIANT

## SUBMITTAL SHEET

ANSI-ICC A117.1-2009

FHA, CSA B45.5-11 / IAPMO Z124-2011, HUD UM 73a, ASTM F-462

**TO COMPLETE YOUR ORDER, THIS DOCUMENT MUST BE SIGNED AND FAXED TO AKER ORDER DESK  
FAX: (304) 263-8369 • PHONE: 1-800-962-2537**

DATE: \_\_\_\_\_

CUSTOMER: \_\_\_\_\_

SHIP TO: \_\_\_\_\_

P.O. #: \_\_\_\_\_

QUANTITY: \_\_\_\_\_

\_\_\_\_\_ / /

PLUMBING CONTRACTOR APPROVAL \_\_\_\_\_ DATE \_\_\_\_\_

\_\_\_\_\_ / /

ENGINEER APPROVAL \_\_\_\_\_ DATE \_\_\_\_\_

JOB NAME: \_\_\_\_\_

QUOTE#: \_\_\_\_\_

PHONE: \_\_\_\_\_

SPECIAL NOTES: \_\_\_\_\_

\_\_\_\_\_ / /

GENERAL CONTRACTOR APPROVAL \_\_\_\_\_ DATE \_\_\_\_\_

\_\_\_\_\_ / /

ARCHITECT APPROVAL \_\_\_\_\_ DATE \_\_\_\_\_

### IMPORTANT NOTES:

1. MAAX assumes no responsibility for final code compliance. Information and specifications taken from this document must be confirmed with appropriate authorities.
2. Units are code compliant when fully equipped and installed according to guidelines.

<b>INTERIOR DIMENSIONS</b>	57" L x 31 1/2" W x 69 3/4" H
<b>EXTERIOR DIMENSIONS</b>	59 3/4" L x 34" W x 74 1/2" H
<b>APRON HEIGHT</b>	17 3/4"
<b>WEIGHT</b>	154 LB
<b>MATERIAL</b>	GELCOAT
<b>WARRANTY</b>	5 YEARS

### STANDARD FEATURES

- 1-piece tub shower
- Reinforced according to Fair Housing Act accessibility requirements
- Right or left-hand drain
- Textured bottom
- Above-the-Floor Rough (AFR)
- Available in standard and non-standard colors

### COMPLIANT PACKAGE

Fully equipped - ANSI compliant

#### Tub Shower Base model with complete ANSI package

- 4 x 24" Horizontal straight textured stainless steel grab bars
- 1 x 18" Vertical straight textured stainless steel grab bar
- Removable Phenolic white seat
- Chrome pressure balance mixing valve with hand-held shower
- Chrome 24" slide bar & 60" flexible hose

#### Specify colors

White  Bone  Biscuit

Non-standard color: \_\_\_\_\_

#### Options

- 56" Chrome curtain rod (factory-installed)
- Chrome recessed soap dish (drilled, not installed)

#### Accessories (sold separately)

- 60" White vinyl shower curtain with stainless steel hooks

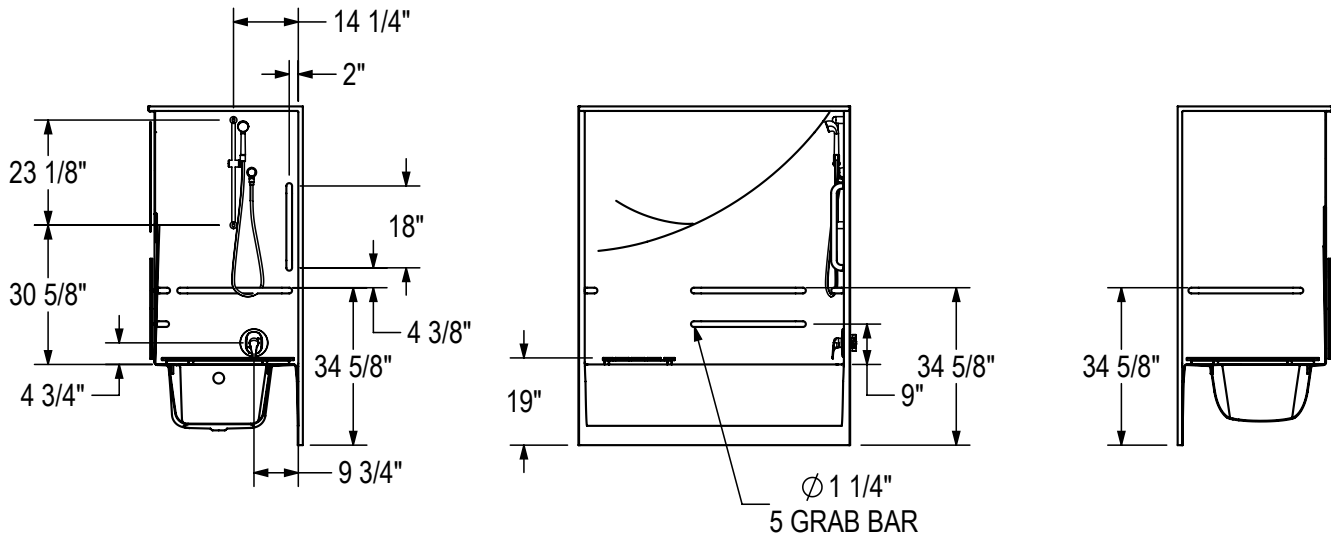
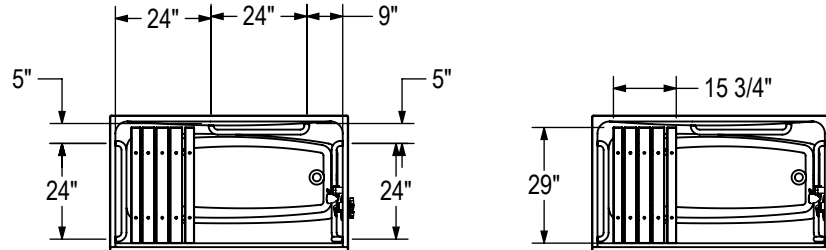
(141315-R/L)



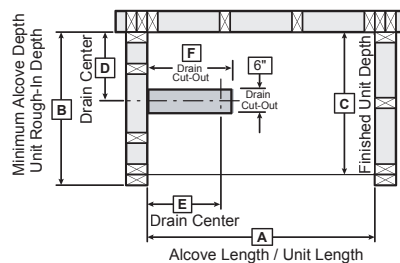
**TO COMPLETE YOUR ORDER, THIS DOCUMENT MUST BE SIGNED AND FAXED TO AKER ORDER DESK  
FAX: (304) 263-8369 • PHONE: 1-800-962-2537**

**TECHNICAL DRAWINGS**

Right side shown  
Left side symmetrical



**FRAMING DIMENSIONS**



Model	A	B	C	D	E	F
141315	59 3/4"	34"	33"	15 1/2"	8"	10 1/2"

**MINIMUM CLEARANCE**

TUB SHOWER 60" X 32"	
ANSI	
G	60"
H	30"

Clearance zone from the control wall and adjacent to the open face.

